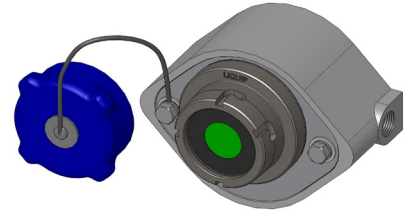


TPA Series Gantry Plug Parking Adaptors

Liquip offers the TPA series truck plug parking adaptors to suit both 3 or 4 pin bayonet fastening (J-slots) gantry plugs. The TPA series adaptors are supplied with a provision to mount and adjust a proximity switch.

TPA gantry plug parking adaptors provide a safe electronic interlock that can be utilised with the terminal automation system (TAS) to ensure the gantry plug has been disconnected from the loading vehicle before permission to leave the gantry is granted.



TPA4 - 4 Pin parking adaptor shown

Operation Instructions

Mount the parking adaptor in close proximity to the gantry monitor so that when parking the loop of the gantry plug wire is free and is not interfering with normal operations.

A suitable proximity switch is fixed inside the parking adaptor, when the gantry plug is disconnected from the loading vehicle it is connected to the parking adaptor.

When the gantry plug is connected the proximity switch reads and sends a signal which can be used in various ways

Ordering Information

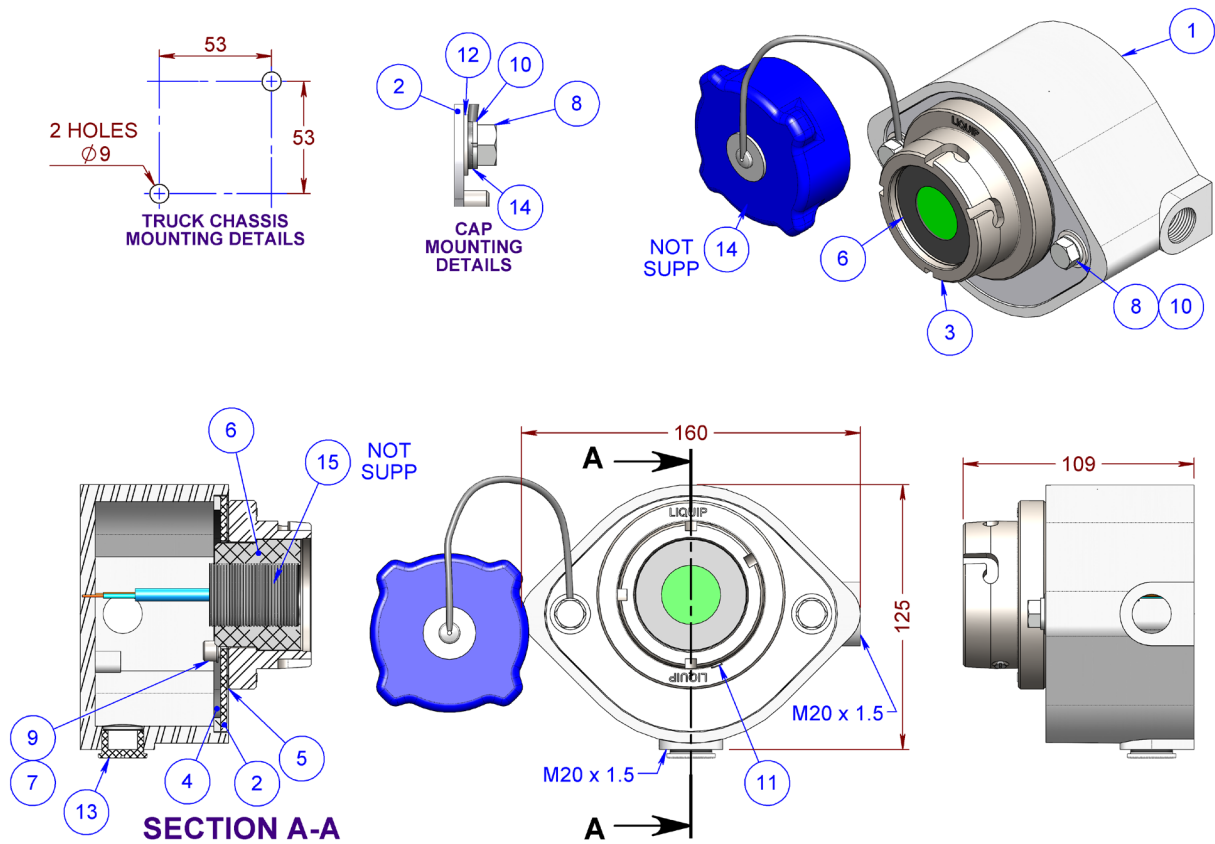
TPA3: 3 Pin parking adaptor

TPA4: 4 Pin parking adaptor

Specifications

Mounting	Acetal mounting blocks
Technical Data	<ul style="list-style-type: none"> • 3 and 4 bayonet fixing to industry standard. • Proximity switch size M30 x 1.5 thread specification to customer requirements. • Conduit ports M20 x 1.5 thread, two options. • Mounting by 2 stainless steel bolts (8mm diameter).
Variants	TP103 - 3 pin bayonet fastening TP104 - 4 pin bayonet fastening. Use also for 2 pin.
Weight	1.3kg
Materials	Stainless steel nose cone Acetal mounting block Aluminium body and cover plate PVC cap. Order separately, see below.
Associated equipment	5069 PVC cap TP103 - 3 Pin Truck Plug TP104 - 4 Pin Truck Plug GP100 series Gantry plugs

TPA3 & TPA4 GANTRY PLUG PARKING ADAPTORS



ITEM	PART No	DESCRIPTION	TPA4	TPA3	MATERIAL
1	TP101-1	BODY	1	1	ALUMINIUM
2	TP100-2	COVER PLATE	1	1	ALUMINIUM
3	TP104-3SS	PLUG 4-PIN	1	-	ST STEEL
	TP103-3SS	PLUG 3-PIN	-	1	ST STEEL
4	4258	SEAL GASKET FOR TP	1	1	NITRILE
5	4259	GASKET	1	1	BLACK FIBRE
6	TPA4-1	SOCKET GP PARKING	1	1	ACETAL
7	0114	WASHER SHK-PRF	2	2	Z/P STEEL
8	0011	SETSCREW HEX	2	2	Z/P STEEL
9	5249	CAPSCREW IMPERIAL	2	2	Z/P STEEL
10	0108	WASHER SPRING	2	2	Z/P STEEL
11	4845	SCREW C/SUNK MET	1	1	ST STEEL
12	0101	WASHER FLAT	2	2	Z/P STEEL
13	6943	PLUG M20 CONDUIT	1	1	NYLON
14	5069	CAP - PROTECTIVE	NIL	NIL	PVC
15	NOT SUPP	PROXIMITY SENSOR 30mm Ex ia	NIL	NIL	ST STEEL
16	40021	CARTON	1	1	CARDBOARD
17	40000	PLASTIC BAG	1	1	PLASTIC