

API-NCFG API Nosecone Feeler Gauge

The purpose of Liquip's API-NCFG is to clearly show the level of wear on any API nosecone that is manufactured to API RP1004 and EN 13083 Standard.

Key Features

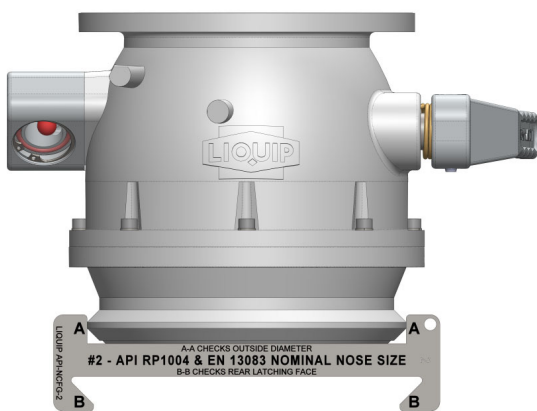
- Made from grade 304 stainless steel for durability and longevity.
- Multiple measurements allow you to see where in the allowable tolerance the API nosecone is.



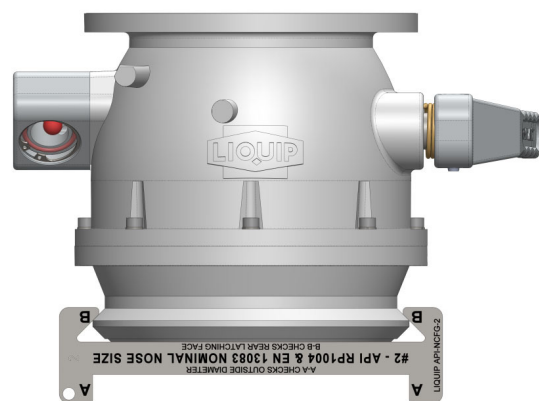
API-NCFG shown

Operation (Text provided on unit)

<p>#1 - API RP1004 & EN 13083 Maximum Nose Size</p>	<p>This gauge is at the upper tolerance of the standard. If this gauge does not fit over, loading couplers may not connect.</p>
<p>#2 - API RP1004 & EN 13083 Nominal Nose Size</p>	<p>This gauge is at the mid tolerance of the standard and indicates a nosecone in the ideal working condition.</p>
<p>#3 - API RP1004 & EN 13083 Minimum Nose Size</p>	<p>This gauge is at the lower tolerance of the standard. If this gauge fits over, the nosecone has worn outside the standard.</p>
<p>#4 - Half Worn - Recheck Regularly</p>	<p>This gauge indicates a nosecone with 0.4mm wear beyond the lower tolerance of the standard. It is possible for a coupler to disengage itself from a nosecone of this size</p>
<p>#5 - Worn - Replacement Recommended.</p>	<p>This gauge indicates a nosecone with approx 0.8mm wear beyond the lower tolerance of the standard. It is not uncommon for a coupler to disengage itself from a nosecone of this size</p>



Checking outside diameter



Checking rear latching face

Ordering Information

API-NCFG: Stainless steel API Nosecone wear gauge set.

Associated Equipment

API490 series API Adaptors.
API-LI: API coupler latching indicator.